

# PIPELAYERS HYDRAULIC KIT (CPX)

CE Approved (with optional features)



## FULLY HYDRAULIC

- Boom kickout
- Free fall
- Anti-two block

## ELECTRONIC OVER HYDRAULIC

- Boom kickout
- Free fall
- Anti-two block
- Anti-tipping



## CPX HYDRAULIC KIT

The CPX package is designed to easily convert your 571G/F/E/D, 572G/F/E, 583K/H or 594H/G Cat mechanical sideboom into a fully hydraulic-controlled sideboom.

Our unique single lever control reduces the number of controls from 6 to 1.

This kit is also used in converting dozers to pipelayers.

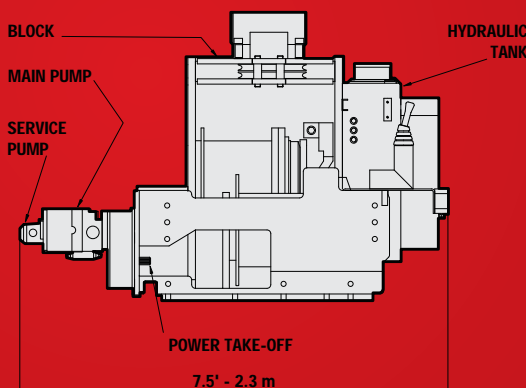
	Type	Max Capacity	Working Pressure
<b>Main Pump</b>	BOSCH Rexroth axial piston variable displacement pump		Peak pressure 6100 p.s.i. 420 bar
<b>Valves</b>	BOSCH load sensing mobile control block, proportional directional valves	75.5 U.S.gal / min 286 liters / min	4643 p.s.i. 320 bar
<b>Control</b>	<ul style="list-style-type: none"> <li>• Pilot units for remote control of winch motors</li> <li>• Progressive and sensitive operations</li> </ul>		
<b>Service Pump</b>	Gear pump	2.6 U.S.gal / min	435-870 p.s.i. 30-60 bar
<b>Hydraulic Tank</b>	Pressurized type	30.4 U.S.gal / 115 liters	4.35 p.s.i. / 0.3 bar
<b>Filter</b>	Donaldson F10500	132 U.S.gal / min 500 liters / min	

## WINCH

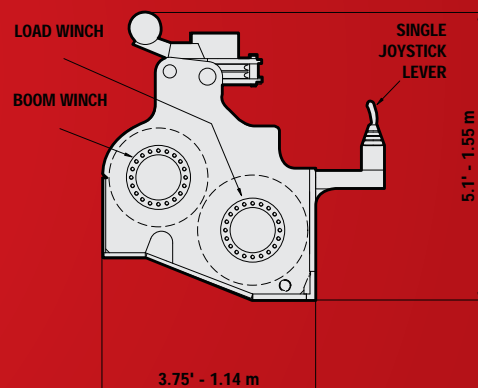
- CE approved design
- Planetary gears
- Automatic negative brakes
- Anti-friction bearings

	Load	Boom
<b>Type</b>	TX 8000	
<b>Motors</b>	BOSCH Rexroth axial tapered piston, Peak pressure 6530 p.s.i. - 530 bar	
<b>Drum Diameter</b>	15-3/8" - 390 mm	15-3/8" - 390 mm
<b>Flange Diameter</b>	23-7/32" - 590 mm	20-7/8" - 530 mm
<b>Length (inside flange)</b>	14-1/8" - 360 mm	14-1/8" - 360 mm
<b>Boom Block</b>	<ul style="list-style-type: none"> <li>• Sheave O.D. 14-3/8" - 365 mm</li> <li>• Anti-friction roller bearing</li> </ul>	

## DIMENSIONS



## SHIPPING WEIGHT 3,250 kg - 7,150 lb



# CONTACT INFORMATION & DISCLAIMER

## Main office – General inquiries SUPERIOR Manufacturing

16031 East Freeway  
Channelview, TX 77530  
U.S.A.  
Phone 281.457.4400  
Fax 281.452.5455  
U.S. Toll Free 800.383.2666  
Intl. Toll Free 800.9675.3948  
pipeline@wwmach.com  
www.worldwidemachinery.com

## Italy office SUPERIOR Manufacturing

Via Roma, 18  
San Pancrazio, Parma  
Italy

## Evan Greenberg

Vice-President of Intl. Operations

## Worldwide offices Europe and Australia

Juergen Hafemann  
Phone +49.0.231.963.3073 Germany  
Phone +61.0.400.144.432 Australia  
pipelinece@wwmach.com

## India

Abhishek Bhotika  
Phone +91.11.414.59230  
pipelineind@wwmach.com

## Africa

Evan Greenberg  
Phone +1.281.452.5800  
pipeline@wwmach.com

## Russia, China and the Middle East

Sergio Braoude  
Phone +39.349.198.1281 Italy  
Phone +7.495.507.4827 Russia  
fsupipeline@wwmach.com

## Latin America

Salvador Villasana  
Phone +52.81.8.394.0160  
pipelinesa@wwmach.com

## North America

Rick Layh  
Phone +1.281.457.4400  
pipelinena@wwmach.com



## DISCLAIMER

The information contained in this brochure is intended to be of a general nature only. The SUPERIOR Manufacturing Company may at any time and from time to time, for technical or other necessary reasons, modify any of the details or specifications of the product described in this brochure. Illustrations do not necessarily show products in standard conditions. The dimensions, weights and capacities shown herein, as well as any conversion data used, are approximate only and are subject to variations within normal manufacturing techniques.