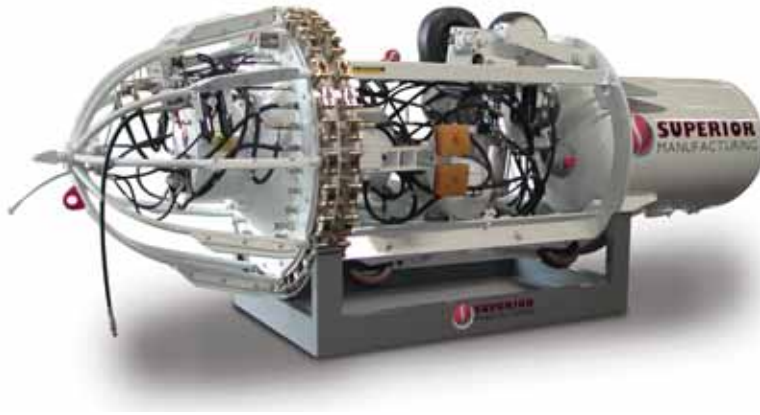


# LINE-UP CLAMPS INTERNAL PNEUMATIC

CE Approved

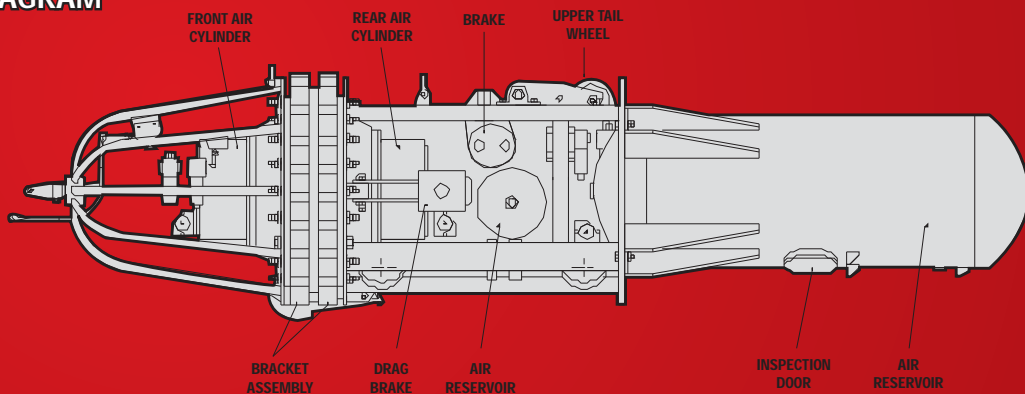


## FEATURES

- Motorized travel is standard at 20 inches and above
- Motorized travel is optional below 20 inches
- Highest quality components

MODEL	PIPE SIZE		Length		DIMENSIONS		Height		WEIGHT	
	Inches	mm	mm	Inches	mm	Inches	mm	Inches	Kg	lb
SLC 8	8	203.2	1510	59.5	190	7.5	229	9	115	253
SLC 10	10	254	1625	64	254	10	292	11.5	130	286
SLC 12-14	12-14	304.8-355.6	2300	90.5	305	12	343	13.5	145	319
SLC 16-18	16-18	406.4-457.2	2430	95.5	406	16	445	17.5	190	418
SLC 20-22	20-22	508-558.8	2680	105	469	18.5	508	20	315	693
SLC 24-26	24-26	609.6-660.4	2880	113.5	660	26	698	27.5	425	935
SLC 28	28	711.2	2880	113.5	710	28	749	29.5	510	1,122
SLC 30-32	30-32	762-812.8	3160	124.5	762	30	800	31.5	522	1,148
SLC 34-36	34-36	863.6-914.4	3400	134	910	36	952	37.5	1200	2,640
SLC 40-42	40-42	1016-1066.8	3550	140	1016	40	1054	41.5	1400	3,080
SLC 46-48	46-48	1168.4-1219.2	3850	151	1143	45	1181	46.5	1950	4,290
SLC 50-52	50-52	1270-1320.8	4000	157	1270	50	1308	51.5	2100	4,620
SLC 54-56	54-56	1371.6-1422.4	4000	157	1372	54	1410	55.5	2250	4,950
SLC 56-60	56-60	1422.4-1524	4600	181	1473	58	1511	59.5	2350	5,170
SLC 60-64	60-64	1524-1625.6	4600	181	1575	62	1613	63.5	2600	5,720

## DIAGRAM





## CONTACT INFORMATION

### **Main office – General inquiries SUPERIOR Manufacturing**

16031 East Freeway  
Channelview, TX 77530  
U.S.A.  
Phone 281.457.4400  
Fax 281.452.5455  
U.S. Toll Free 800.383.2666  
Intl. Toll Free 800.9675.3948  
pipeline@wwmach.com  
www.worldwidemachinery.com

### **Italy office SUPERIOR Manufacturing**

Via Roma, 18  
San Pancrazio, Parma  
Italy

**Evan Greenberg**  
Vice-President of Intl. Operations

### **Worldwide offices Europe and Australia**

Juergen Hafemann  
Phone +49.0.231.963.3073 Germany  
Phone +61.0.400.144.432 Australia  
pipelinece@wwmach.com

### **India**

Abhishek Bhotika  
Phone +91.11.414.59230  
pipelineind@wwmach.com

### **Africa**

Evan Greenberg  
Phone +1.281.452.5800  
pipeline@wwmach.com

### **Russia, China and the Middle East**

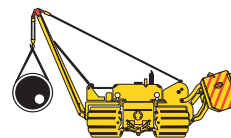
Sergio Braoude  
Phone +39.349.198.1281 Italy  
Phone +7.495.507.4827 Russia  
fsupipeline@wwmach.com

### **Latin America**

Salvador Villasana  
Phone +52.81.8.394.0160  
pipelinesa@wwmach.com

### **North America**

Rick Layh  
Phone +1.281.457.4400  
pipelinena@wwmach.com



**WORLDWIDE  
MACHINERY  
PIPELINE DIVISION**

 **SUPERIOR  
MANUFACTURING**

# DISCLAIMER

## DISCLAIMER

The information contained in this brochure is intended to be of a general nature only. The SUPERIOR Manufacturing Company may at any time and from time to time, for technical or other necessary reasons, modify any of the details or specifications of the product described in this brochure. Illustrations do not necessarily show products in standard conditions. The dimensions, weights and capacities shown herein, as well as any conversion data used, are approximate only and are subject to variations within normal manufacturing techniques.