



SBP-25 Padding Bucket

Screening area	16.47 sq ft / 1.53 m ²
Operating weight	5,070 lbs / 2,300 kg
Capacity	2.4 cu yd / 1.8 m ³





SBP-25 PADDING BUCKET

ABOUT THE SBP-25 PADDING BUCKET

The SBP-25 is a highly proficient padding bucket. It can be easily attached to an excavator and is SUPERIOR's solution for tie-in work as well as small padding jobs.

FEATURES

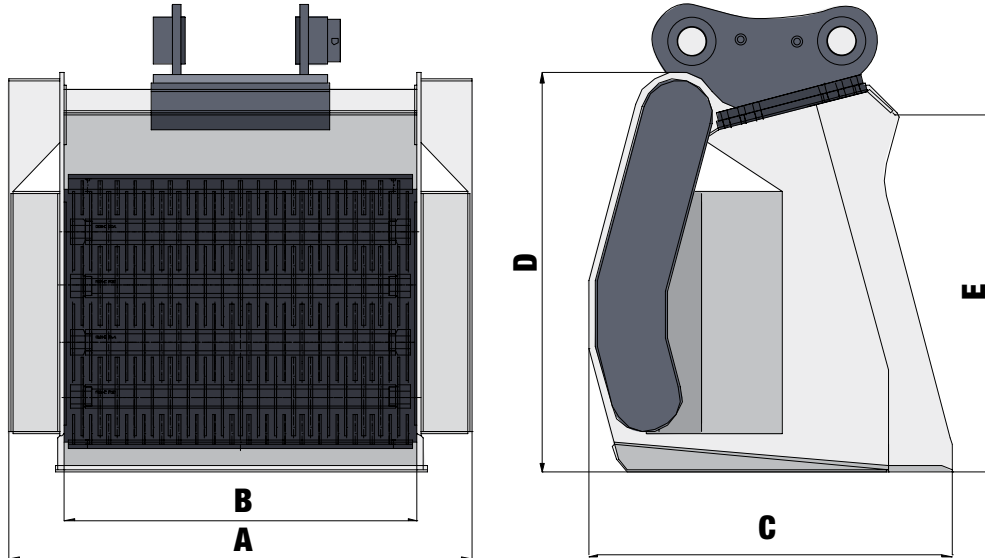
- High structural steel frame
- Adjustable for screened material size
- Double chain transmission
- Two hydraulic motors
- 4 screen rollers with HARDOX steel type
- Easy to replace the rollers
- Bracket support for excavator available upon request

SPECIFICATIONS

MODEL	CAPACITY	SCREEN AREA	SIZES AVAILABLE	WEIGHT	ESCAVATOR SIZE
SBP-25	1.8 m ³ / 2.4 cu yd	1.53 m ² / 16.47 sq ft	25-38-50 1-1 1/2-2	5,070 lbs / 2300 kg	30 ton

DIMENSIONS

Operating weight 5,070 lb / 2,300 kg



	Feet	Meters
A Width	6 ft	1.82 m
B Screen width	4.6 ft	1.39 m
C Length	4.7 ft	1.43 m
D Height	5.2 ft	1.58 m
E Screen height	4.6 ft	1.41 m



AVAILABLE MODELS



Padding Bucket | Screen Area: 1.53 m² / 16.47 sq ft



SPD-150 | Screen Area: 3 m² / 32 sq ft



SPD-250 | Screen Area: 2.78 m² / 30 sq ft



SPD-350 | Screen Area: 5.57 m² / 60 sq ft



SPD-450 | Screen Area: 8.4 m² / 90 sq ft

CONTACT INFORMATION

Europe

Phone +49.0.231.963.3073

pipelinece@wwmach.com

Russia, China and the Middle East

Phone +39.349.198.1281 Italy

Phone +7.495.507.4827 Russia

fsupipeline@wwmach.com

India

Phone +91.11.414.59230

pipelineind@wwmach.com

Africa

Intl. Toll Free 800.9675.3948

pipeline@wwmach.com

North America

Phone +1.281.457.4400

pipelinena@wwmach.com

Latin America

Phone +52.81.8.394.0160

pipelinesa@wwmach.com

Brazil

Phone 800.9675.3948

pipelinebr@wwmach.com

Australia

Phone +61.0.400.144.432

pipelinece@wwmach.com



16031 East Freeway

Houston, TX 77530

Phone 281.457.4400 Fax 281.452.5455

U.S. Toll Free 800.383.2666 Intl. Toll Free 800.9675.3948

pipeline@wwmach.com

www.worldwidemachinery.com