

# PIPE CARRIERS SPC-D80

CE Approved



## SPECIFICATIONS

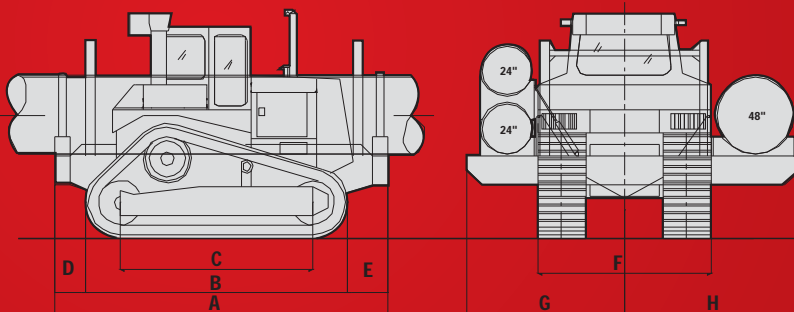
Pipe D. N.	Number Pipes Per Side	Total Pipes Per Tractor	Maximum Wall Thickness
60"	1	2	1-1/4" – 31.6 mm
58"	1	2	1-1/4" – 31.6 mm
56"	1	2	1-1/4" – 31.6 mm
54"	1	2	1-1/4" – 31.6 mm
52"	1	2	1-1/4" – 31.6 mm
50"	1	2	1-1/4" – 31.6 mm
48"	1	2	1-1/4" – 31.6 mm
46"	1	2	1-1/4" – 31.6 mm
44"	1	2	1" – 25 mm
42"	2	4	1" – 25 mm
40"	2	4	1" – 25 mm

## FEATURES

- Carries pipe ranging from 40" to 60"
- Horsepower 252 kW / 338 HP
- Hydraulic operated cradle arms
- Can be made to fit your Caterpillar tractor
- No special hydraulic power source required
- Easy removal and reinstallation
- Based on a Caterpillar D8R Tractor

## DIMENSIONS

OPERATING WEIGHT 34,770 kg - 76,494 lb



A	5.74 m / 18.8'
B	4.73 m / 15.5'
C	3.05 m / 10'
D	.5 m / 20 in
E	.5 m / 20 in
F	2.87 m / 9.4'
G	2.35 m / 7.7'
H	2.6 m / 8.5'



## CONTACT INFORMATION

### **Main office – General inquiries SUPERIOR Manufacturing**

16031 East Freeway  
Channelview, TX 77530  
U.S.A.  
Phone 281.457.4400  
Fax 281.452.5455  
U.S. Toll Free 800.383.2666  
Intl. Toll Free 800.9675.3948  
pipeline@wwmach.com  
www.worldwidemachinery.com

### **Italy office SUPERIOR Manufacturing**

Via Roma, 18  
San Pancrazio, Parma  
Italy

**Evan Greenberg**  
Vice-President of Intl. Operations

### **Worldwide offices Europe and Australia**

Juergen Hafemann  
Phone +49.0.231.963.3073 Germany  
Phone +61.0.400.144.432 Australia  
pipelinece@wwmach.com

### **India**

Abhishek Bhotika  
Phone +91.11.414.59230  
pipelineind@wwmach.com

### **Africa**

Evan Greenberg  
Phone +1.281.452.5800  
pipeline@wwmach.com

### **Russia, China and the Middle East**

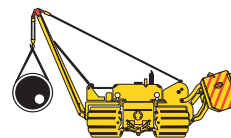
Sergio Braoude  
Phone +39.349.198.1281 Italy  
Phone +7.495.507.4827 Russia  
fsupipeline@wwmach.com

### **Latin America**

Salvador Villasana  
Phone +52.81.8.394.0160  
pipelinesa@wwmach.com

### **North America**

Rick Layh  
Phone +1.281.457.4400  
pipelinena@wwmach.com



**WORLDWIDE  
MACHINERY  
PIPELINE DIVISION**

 **SUPERIOR  
MANUFACTURING**

# DISCLAIMER

## DISCLAIMER

The information contained in this brochure is intended to be of a general nature only. The SUPERIOR Manufacturing Company may at any time and from time to time, for technical or other necessary reasons, modify any of the details or specifications of the product described in this brochure. Illustrations do not necessarily show products in standard conditions. The dimensions, weights and capacities shown herein, as well as any conversion data used, are approximate only and are subject to variations within normal manufacturing techniques.