

# TXD 1147

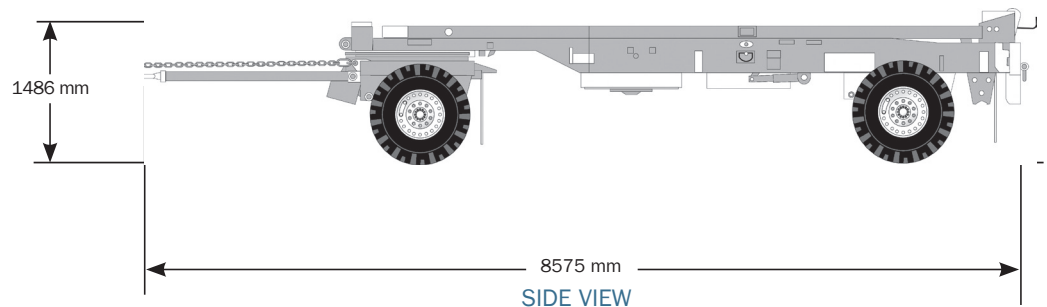
## Load Handling System (LHS) Trailer

### OVERVIEW

Used by the U.S. military for many years, these vehicles are considered the most sophisticated off-road, multi-purpose tactical vehicle in use, and are capable of operating anywhere in the world on primary and secondary roads, as well as on trails and cross-country in weather extremes from -50°F (-46°C) to +120°F (49°C).

### KEY FEATURES

- Electronic Central Tire Inflation System (CTIS)
- Anti-lock Braking System (ABS)
- Interactive Electronic Technical Manuals (IETM)
- Fully MANPRINT compliant
- U.S. Army proven ultra-reliability
- Family of 16+ vehicles with 80% commonality
- U.S. Army certified 22-year corrosion protection



# TXD 1147

## Load Handling System (LHS) Trailer

### VEHICLE SPECIFICATIONS

Length:	
Frame Only	261.9 in (6,652 mm)
Total Length (Including Drawbar)	337.6 in (8,575 mm)
Width:	
Transport	95.9 in (2,438 mm)
ISO Container or Flat Rack	101.7 in (2,583 mm)
Height:	
Overall	58.5 in (1,486 mm)
Deck	47.5 in (1,207 mm)
Wheel Base:	183.5 in (4,661 mm)
Ground Clearance: (Minimum)	14.5 in (368 mm)
Departure Angle:	30°
Trailer Curb Weight:	9,480 lb (4,300 kg)
Payload:	18,000 lb (8,165 kg)
Maximum Grade:	30%
Maximum Side Slope:	30%
Fording (Without Kit):	30 in (762 mm)

### EQUIPMENT SPECIFICATIONS

Tires:	Michelin XTY275/70R22.5
Brakes:	16.5 X 7 S-Cam Type with ABS
Suspension:	Air Ride, Air Pressure Sensor Gages for Overload Indication
Payload Modules:	
Flatracks	M1 & M1077 per STANAG 2413 CROP M3 & M3A1
ISO Containers	20 ft (6 m) Long with 8 ft (2.4 m) or 8.5 ft (2.6 m) Height
Medical Shelters	20 ft (6 m) Long Aluminum Expansible Shelters
Key Dimensional Requirements:	
Capable of Negotiating a 13 ft (4 m) Underpass with an Empty 20 ft (6 m) Long, 8.5 ft (2.6 m) high ISO Container.	

### FOR MORE INFORMATION CONTACT:

Titan Trucks  
16031 East Freeway  
Houston, TX 77530  
Telephone +1-281-457-4400  
U.S. Toll Free +1-800-383-2666  
Intl. Toll Free 800-9675-3948  
Email titan@wwmach.com  
www.worldwidemachinery.com

This document gives only a general description of the product(s) or services and except where expressly provided otherwise shall not form part of any contract. From time to time, changes may be made in the products or the conditions of supply. Titan Trucks reserves the right to change product specifications without prior notice.

© 2011 Titan Trucks

All rights reserved.